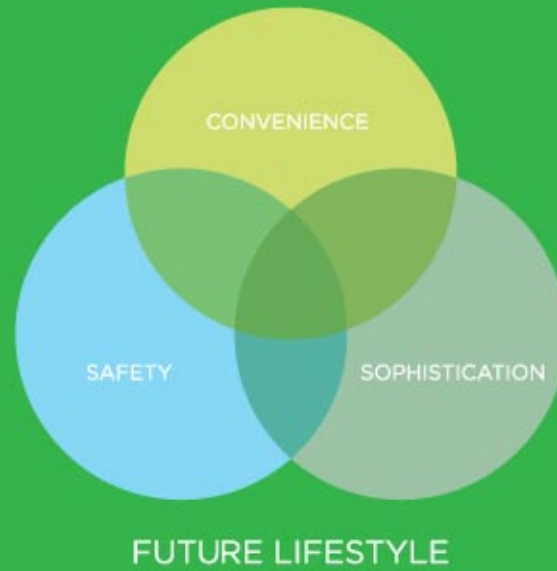


HCG "I can live here."



SHOWER ENCLOSURE & PARTITION



HCG's glass enclosures ensure the **safety** of its clients by separating the dry and wet area of the bathroom. It provides **convenience** by saving space to let other members of the family use other fixtures without sacrificing the overall ambiance of the bathroom. Its **sophisticated** style accentuates the trend of urbanity

**TABLE OF CONTENTS**

Company Profile	02
Product Features	04
Glass Products	10
Project Reference	16

COMPANY PROFILE



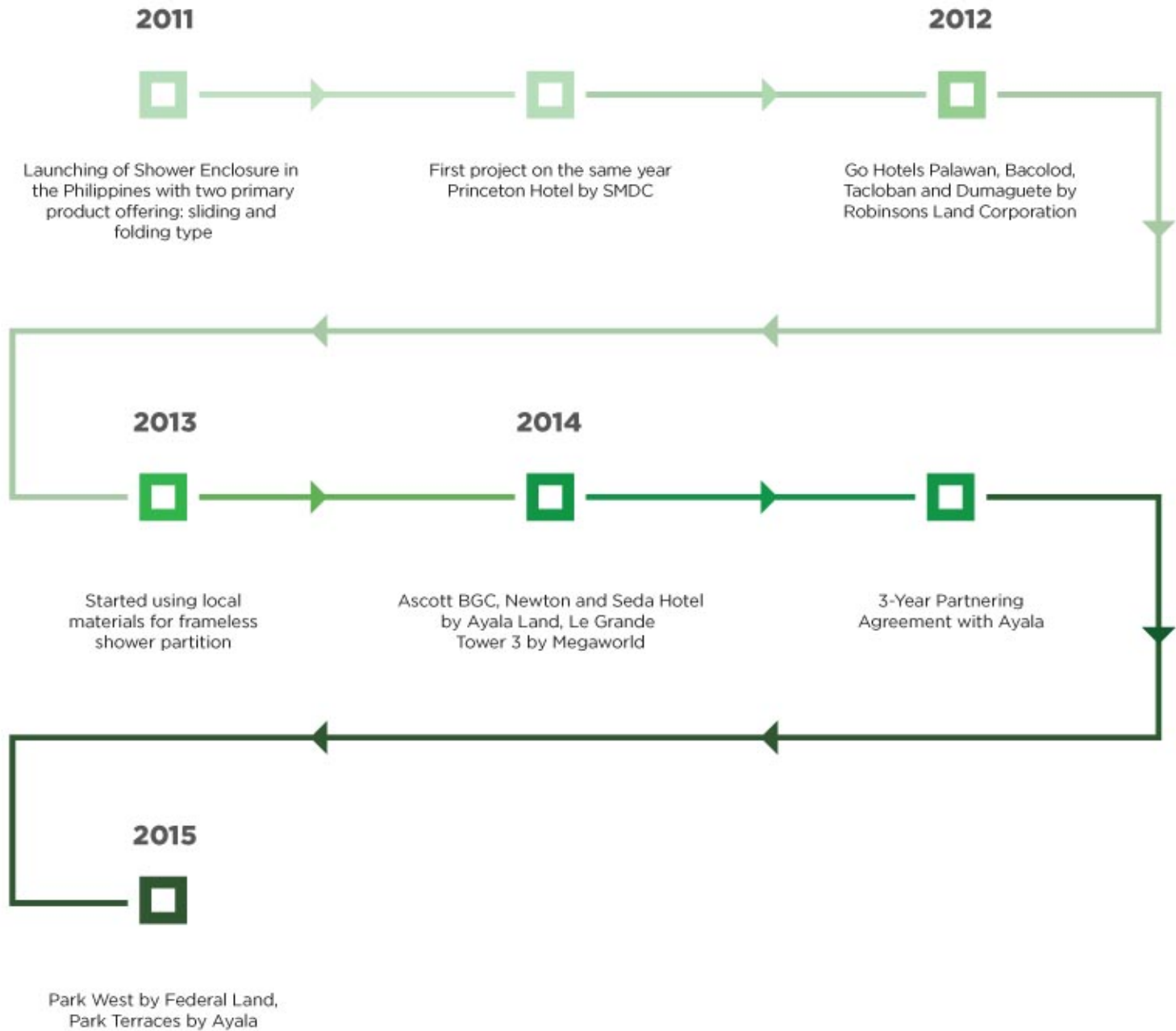
HCG believes that every bathroom fixture it creates has an 80-year-old story of excellence and timeless craftsmanship.

In 1931, Mr. Hocheng Chiu founded Ho Cheng Corporation giving birth to one of the world's most admired bathroom fixtures brand, HCG. From manufacturing quality bathroom ceramic products, Ho Cheng Corporation in Taiwan decided to expand its product offering for a one-of-a-kind one-stop shop solution to valued clients.

From quality bathroom products, HCG started to offer several new solutions for complete home and building needs. Among these are Cerabo or ceramic board, Kitchen and Cabinet System and EBOX: Home Automation System.

In 1998, HCG in Taiwan introduced glass products: Shower Partitions and Enclosures to the market as a modern approach to shower curtains. In 2011, Hocheng Philippines Corporation carried the reliable quality shower partitions and enclosures in its product line.

HCG MILESTONES



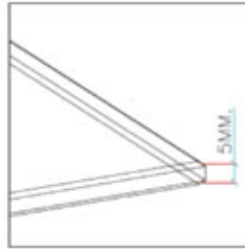
HCG'S SHOWER PARTITION AND ENCLOSURES HAVE THE FOLLOWING FEATURES ASSURING ITS QUALITY AND RELIABILITY:

TEMPERED GLASS WITH SMOOTH GLASS EDGE

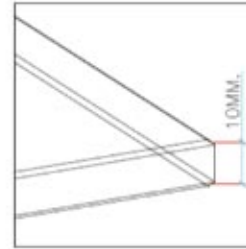
At least twice stronger than flat glass. It can bear at least 200 degrees temperature difference. HCG makes sure that every tempered glass used in their enclosures has a smooth edge to ensure the safety of its customers.

Thickness

- 5 mm
- 6 mm
- 8 mm
- 10 mm



5 mm. Thick Tempered Glass



10 mm. Thick Tempered Glass

Texture

- Clear
- Frosted: Sandblast / Sticker
- Back Painted Glass



Clear



Frosted



Back Painted

Certification

- Hinge Bearing Test Report
- Tempered Glass Impact Test



ADJUSTABLE ALUMINUM FRAME

HCG uses high quality aluminum frame that solves non-proportional walls.
 *Available only for folding and sliding

Textures and Finishes

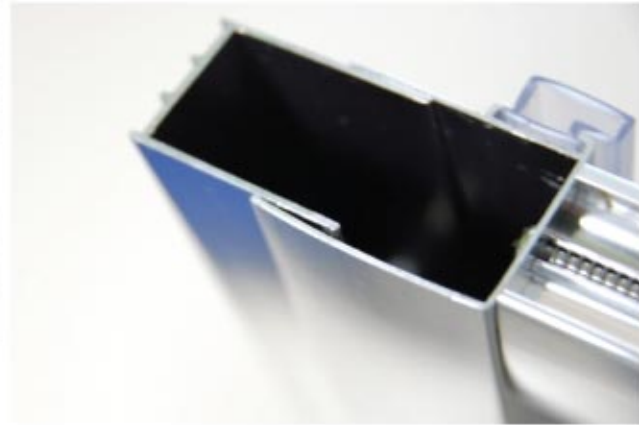
- Polished Chrome
- Powder Coated White



POLISHED CHROME



POWDER COATED WHITE



HIGH-QUALITY MATERIALS

HCG uses only the finest hinges that passed more than 200,000 times push and pull test.
 The material used is brass and polished in chrome **which is more durable.**



Glass door handles are also made of polished stainless steel.





SUPER HINGE

HCG uses an advanced type of hinge that is easy to install. Called super hinge, it can be adjusted up to 40 mm providing a perfect fit for the glass door. It can speed up construction lead time at no additional cost.

Material: **Brass**

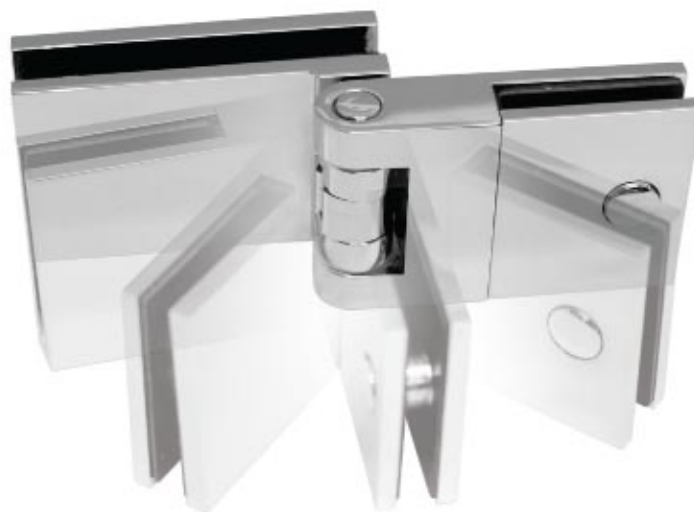
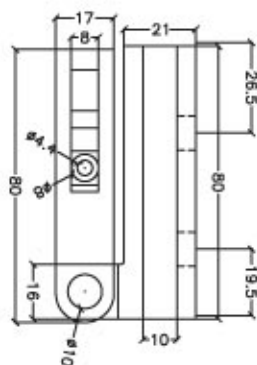
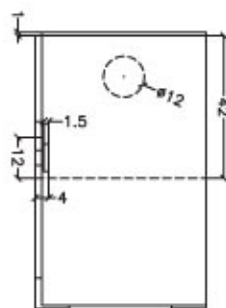
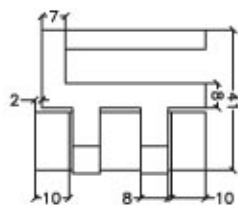
Finish: **Chrome finish**

EASY TO INSTALL





IT CAN ADJUST GLASS DOOR WIDTH UP TO 40 MM





ADJUSTABLE STOPPER

HCG uses an adjustable stopper that prevents the glass from hitting the shower and wall.



QUICK LOCK-SYSTEM

Its easy push and pull system securely locks the panel.



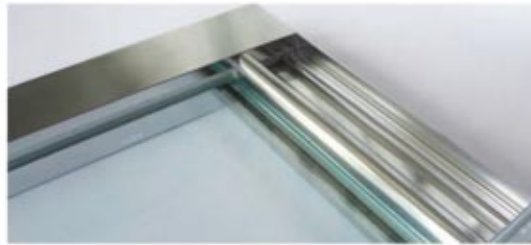
WATERPROOF MAGNETIC STRIP

The self-locking strip prevents water from flowing out of the gap perfectly separating the wet area from dry.

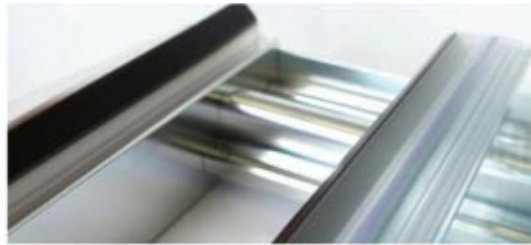
PVC (Polyvinylchloride) Strip:

- Magnetic (Sliding)
- Non- Magnetic (Folding and Swing)

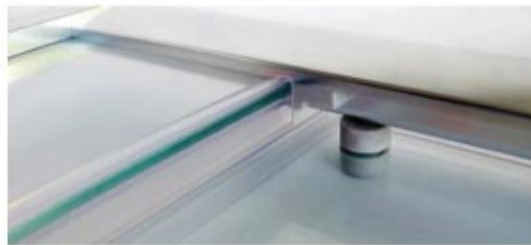
The shower panel is secured from all sides:



LEFT - FIXED PANEL STRIP



MIDDLE - DOOR STRIP



RIGHT - MAGNETIC STRIP



FOLDING TYPE

Available Sizes:

- 1000 X 1800 mm
- 850 X 1800 mm
- 800 X 1800 mm
- 700 X 1800 mm

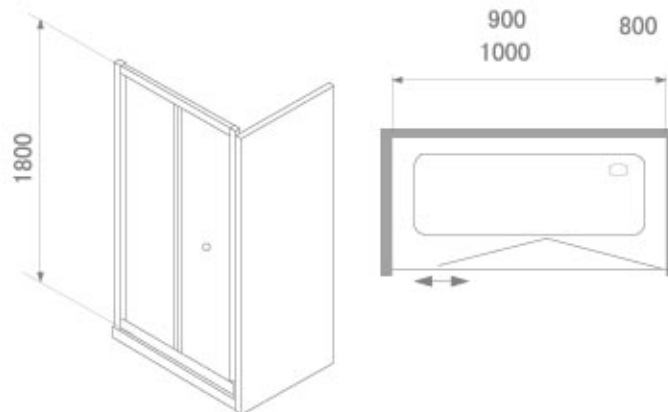
Glass Thickness:
5 mm - 6 mm

Glass Type
Clear or Frosted Tempered Glass

Aluminum Frame:
Chrome or Powder Coat White

Available Shapes:
Straight

Available Measurements:
800 mm W X 1800 mm H -
1000 mm W X 1800 mm H



SLIDING TYPE**Available Sizes:**

1200 X 1800 mm
1350 X 1800 mm
1500 X 1800 mm

Glass Thickness:

5 mm - 6 mm

Glass Type

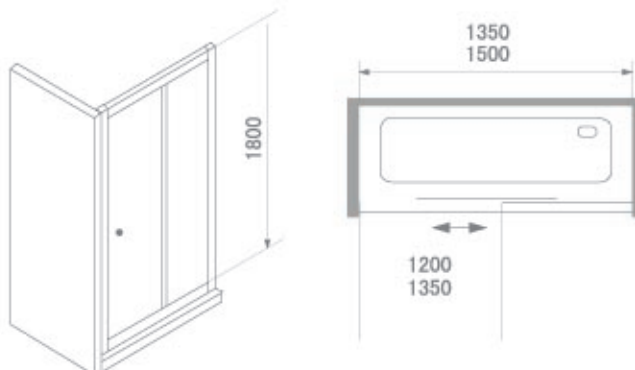
Clear or Frosted Tempered Glass

Aluminum Frame:

Chrome or Powder Coat White

Available Measurements:

1000 mm W X 1800 mm H -
1500 mm W X 1800 mm H





PENTA TYPE

Penta- type is one of the available shapes of the sliding partition

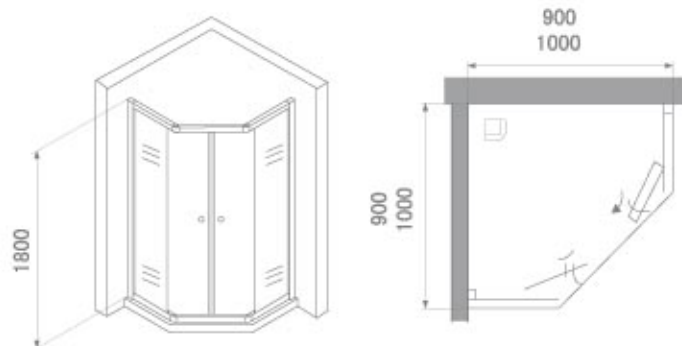
Glass Thickness:
5 mm - 6 mm

Glass Type
Clear or Frosted Tempered Glass

Aluminum Frame:
Chrome or Powder Coat White

Available Shapes:
Straight

Available Measurements:
800 mm L X 800 mm W X 1800 mm H
800 mm L X 900 mm W X 1800 mm H
1000 mm L X 1000 mm W X 1800 mm H





SEMI- CIRCLE

Semi- Circle type is one of the available shapes of the sliding partition

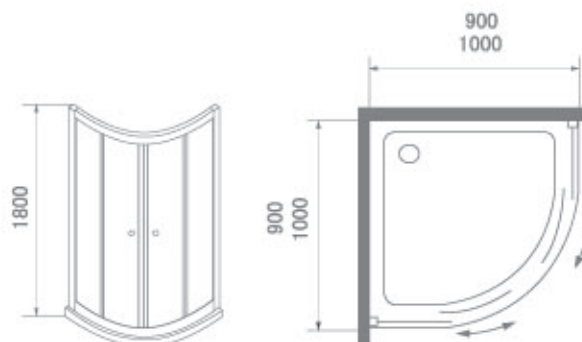
Glass Thickness:
5 mm - 6 mm

Glass Type
Clear or Frosted Tempered Glass

Aluminum Frame:
Chrome or Powder Coat White

Available Shapes:
Straight

Available Measurements:
o 900 mm L X 900 mm W X 1800 mm H
o 1000 mm L X 1000 mm W X 1800 mm H





L - SHAPE

L-Shape type is one of the available shapes of the sliding

Glass Thickness:

5 mm - 6 mm

Glass Type

Clear or Frosted Tempered Glass

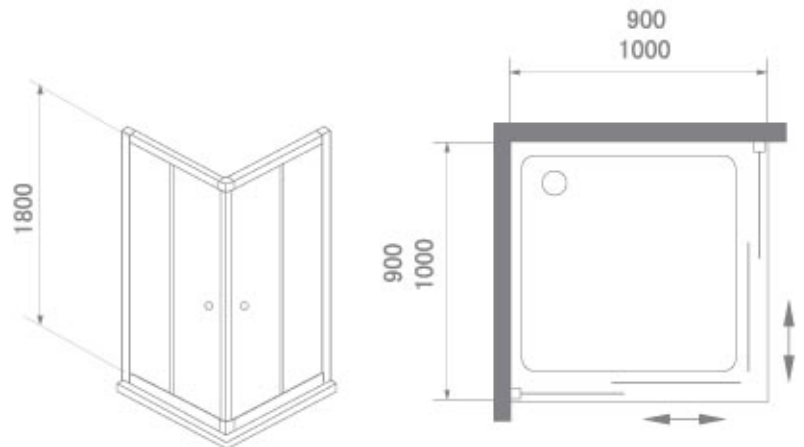
Aluminum Frame:

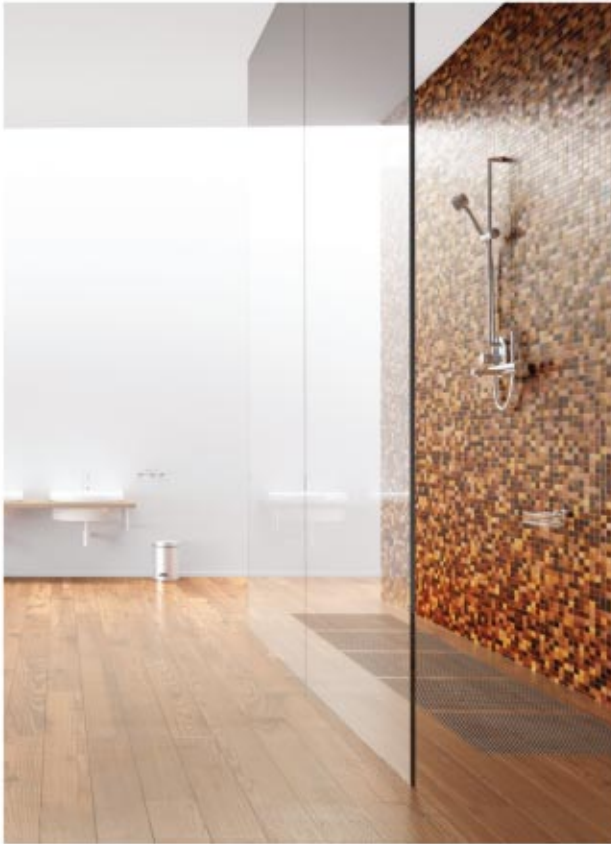
Chrome or Powder Coat White

Available Measurements:

900 mm L X 900 mm W X 1800 mm H

900 mm L X 1000 mm W X 1800 mm H





FIN GLASS

Fixed Glass

Glass Thickness:

8 mm - 10 mm

Glass Type

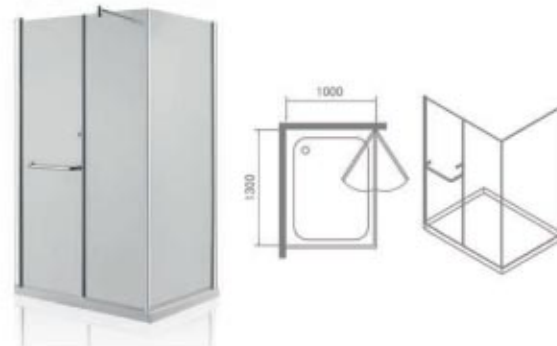
Clear or Frosted Tempered Glass

Accessories:

304 stainless steel hinges and clamps,
aluminum u-channel

Available Size:

Standard height is 1800 mm H while width is based on actual measurement.



FRAMELESS

Fixed Glass

Glass Thickness:

8 mm - 10 mm

Glass Type

Clear or Frosted Tempered Glass

Type:

Swing or Sliding

Available Shapes:

Straight, L-shape (for both frameless sliding and swing); penta (for frameless swing only)

Accessories:

304 stainless steel hinges and clamps, aluminum u-channel

Available Size:

Standard height is 1800 mm H while width is based on actual measurement.



RESIDENCES

▪ **CELADON**

DEVELOPER	ALVEO LAND
YEAR	2016
LOCATION	MANILA

▪ **VIRIDIAN IN GREENHILLS**

DEVELOPER	ORTIGAS & COMPANY
YEAR	2016
LOCATION	SAN JUAN CITY

▪ **PARK TERRACES TOWER 2**

DEVELOPER	AYALA LAND PREMIER
YEAR	2015
LOCATION	MAKATI CITY

▪ **PARK WEST**

DEVELOPER	FEDERAL LAND INC.
YEAR	2015
LOCATION	BONIFACIO GLOBAL CITY TAGUIG, PHILIPPINES

▪ **PARK POINT**

DEVELOPER	AYALA LAND PREMIER
YEAR	2015
LOCATION	CEBU CITY

▪ **LIGHT RESIDENCES**

DEVELOPER	SM DEVELOPMENT CORPORATION
YEAR	2014 TOWER 1 & 3, 2015 TOWER 2
LOCATION	MANDALUYONG CITY



RESIDENCES



HOTELS

▪ **GRASS RESIDENCES**

DEVELOPER	SM DEVELOPMENT CORPORATION
YEAR	2014 TOWER 3, 2016 TOWER 2
LOCATION	QUEZON CITY

▪ **JAZZ RESIDENCES**

DEVELOPER	SM DEVELOPMENT CORPORATION
YEAR	2013 TOWER A, 2015 TOWER D
LOCATION	MAKATI CITY

▪ **PRINCETON HOTEL**

DEVELOPER	SM DEVELOPMENT CORPORATION
YEAR	2011
LOCATION	QUEZON CITY

▪ **SUMMIT HOTEL**

DEVELOPER	ROBINSONS LAND CORPORATION
YEAR	2014
LOCATION	QUEZON CITY

▪ **SEDA HOTEL**

DEVELOPER	AYALA LAND, INC.
YEAR	2014
LOCATION	STA. ROSA, LAGUNA PHILIPPINES

▪ **ASCOTT BGC**

DEVELOPER	WJ GLOBAL INC.
YEAR	2014
LOCATION	BONIFACIO GLOBAL CITY TAGUIG, PHILIPPINES

HOCHENG PHILIPPINES CORPORATION

Sales & Marketing Office

1163 Chino Roces Ave.
San Antonio Village,
Makati City, Philippines
T: 63-2-8955683
F: 63-2-8952180
www.hcg.com.ph

Plant

Lot 2 Blk 4 Phase III
First Cavite Industrial Estate
Brgy. Langkaan, Dasmariñas
Cavite, Philippines
T: 63-46-4021310
F: 63-46-4021026

HOCHENG TAIWAN CORPORATION

4/F 16 Nanking East Road
Section 3, Taipei,
Taiwan R.O.C
T: 886-2-25068101
F: 886-2-25042209
www.hcg.com.tw

HOCHENG CHINA CORPORATION

1358 Qui Jiang Road
Hocheng Building
Shanghai, PR China 200070
T: 86-21-66286111
F: 86-21-66287898
www.hcg.com.cn

HCG

"I can live here."